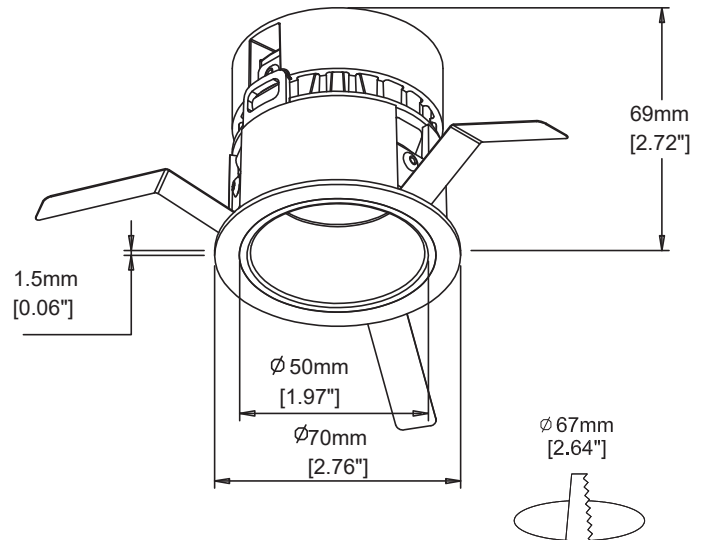


# Specification sheet

REV.4

# Lithe 55, Colour Round

1.9" Architectural Downlight



## Description

Lithe 55 is a 1.9 inch (46 mm) aperture recessed downlight that delivers up to 500 lm. Shallow construction (less than 2.8 inch, 70 mm) enables installation in limited ceiling space. Deep-regressed LED and trim effectively subdues glare and translates to exceptional visual experiences. Precision optics delivers outstanding efficiency and beam quality. All aluminum construction ensures optimal thermal performance and build quality. Lithe 55 comes with a range of options including round and square, five trim colors, three beam angles, and wall wash.

## Features

LED	Lumileds Luxeon M LED Array
Color temperature	2700K/ 3000K/ 3500K/ 4000K
Optics	Spot 15° / Medium 25° / Wide 40°
Trim Finishes	Black / White / Blue / Glod / Haze
Ceiling Cutont	Ø 67mm [2.64"]

## Performance

Delivered output	Up to 600 lm (80+ CRI) Up to 500 lm (90+ CRI)
Power consumption	Up to 8 W
Color rendering	90+ CRI (80 CRI+ optional)
Color consistency	3 SDCM
CBCP	Spot 2470cd/ Medium 1124cd/ Wide 753cd

## Electrical and Control

Input voltage	See the ordering code
Control	TRIAC/ELV or 0-10V dimming
Feature	Overload & short circuit protection

## Construction

Material	Machining grade Aluminum
Trim shape	Round
Lens	Interchangeable TIR optics

## Rating/ Certification/ Warranty

- Dry and damp Locations
- RoHS compliant
- 5 years/ L70 50,000 hrs warranty
- UL Listed

## Ordering Code Information

PRODUCT	TRIM STYLE	LUMEN	COLOR TEMPERATURE	FINISH	BEAM ANGLE	COLOR RENDERING
LTE55	R	06	27	WH	S	9
LTE55 Lithe55 colour LED Downlight	R Round S square	06 600lm	27 (2700K) 30 (3000K) 35 (3500K) 40 (4000K)	WH(White) WHBK(White/Black) WHBL(White/Dark Blue) WHGD(White/Gold) WHHZ (White/ Haze)	S (Spot)/15deg. M (Medium)/25 deg. W (Wide)/40deg.	8 (80+ CRI) 9 (90+ CRI)

**Photometrics**

MULTIPLYING FACTORS: (Multiplying Factor is based on 3000K-90+CRI IES file on website)

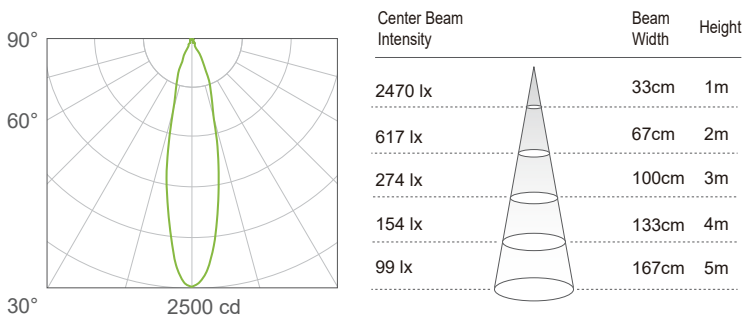
CCT	2700K-80+	3000K-80+	3500K-80+	4000K-80+
Factors	1.12	1.2	1.22	1.27

CCT	2700K-90+	3000K-90+
Factors	0.94	1.0

**8W | 90CRI | 3000K**

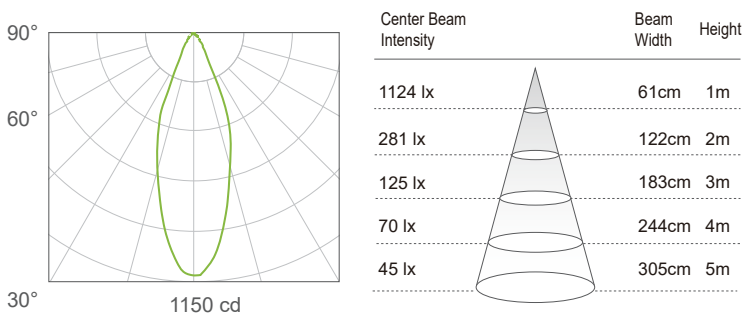
**Spot 15°**

Delivered Output :456 lm | CBCP : 2470 cd | Beam Angle : 18°



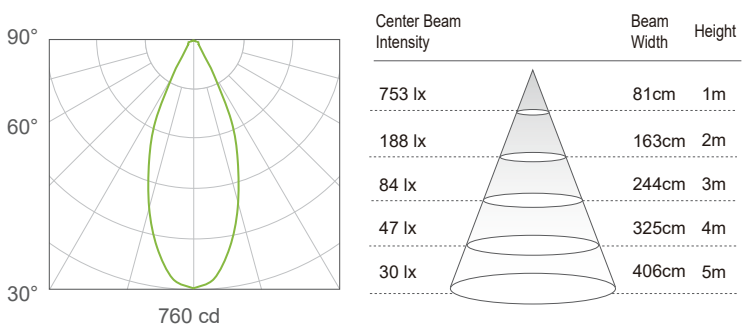
**Medium 25°**

Delivered Output : 477 lm | CBCP : 1124 cd | Beam Angle : 34°



**Wide 40°**

Delivered Output : 453 lm | CBCP : 753 cd | Beam Angle : 44°



**Recommend LED Driver:**

---

<u>Driver No.</u>	<u>Input Voltage</u>	<u>Dimming</u>	<u>Note</u>
DE-1-700-10	120V	TRIAC/ELV	
DE-1-900-10	120V	TRIAC/ELV	Consult Facto
DE-4-700-10	220-240V	TRIAC/ELV	
DE-4-900-10	220-240V	TRIAC/ELV	Consult Facto
DA-3-700-10	120-277V	0-10V DIMMING	